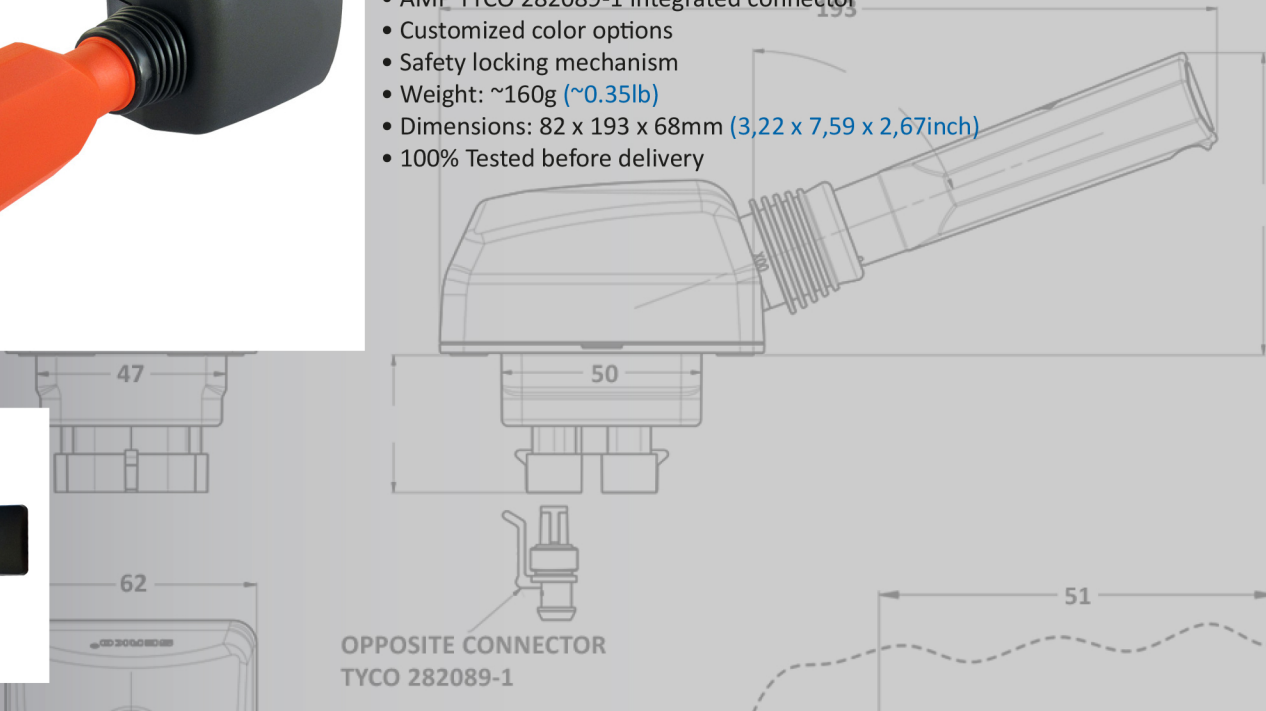


MD FNR COLUMN BOX



Features

- Compact, esthetic and elegant design
- Thermal shock resistant
- AMP TYCO 282089-1 Integrated connector
- Customized color options
- Safety locking mechanism
- Weight: ~160g (~0.35lb)
- Dimensions: 82 x 193 x 68mm (3,22 x 7,59 x 2,67inch)
- 100% Tested before delivery



PATENT PENDING	RUSTPROOF	12V	24V						
----------------	-----------	-----	-----	--	--	--	--	--	--

PARTS	PARTS NAME	PARTS NO
	MD FNR COLUMN BOX	0001.4018.000

